

# LAZER

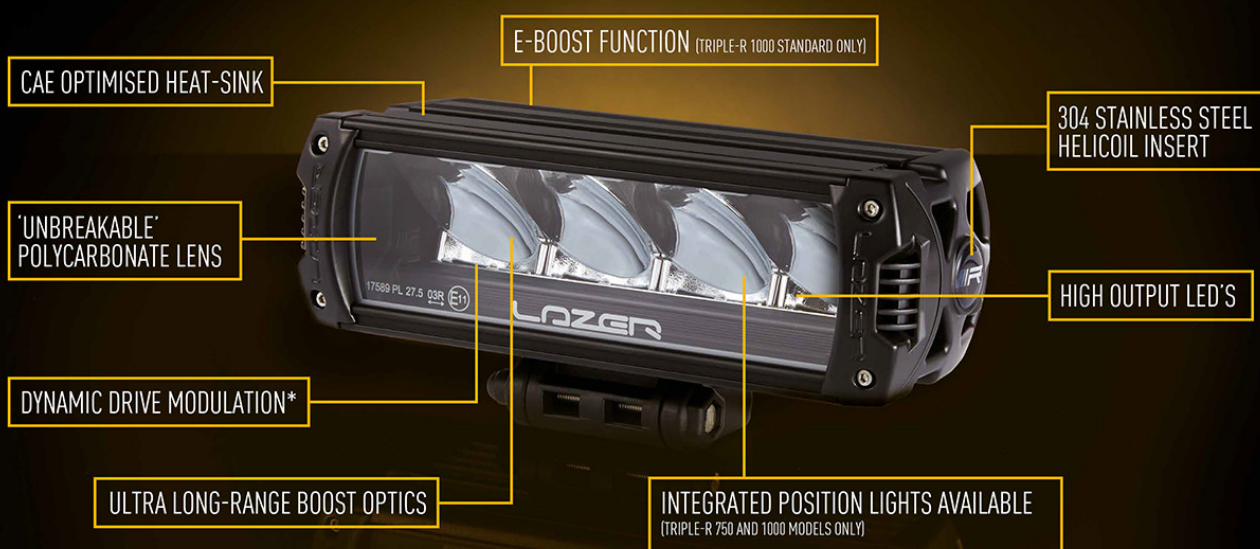
H I G H P E R F O R M A N C E L I G H T I N G

## TRIPLE-R 6 ('850')



A later addition to the Triple-R range, the 850 Standard packs some serious lighting performance from a lamp just over 320mm in length. Pushing the limits of what is permissible under ECE road-legal regulations, the Triple-R 850 not only delivers exceptional light output, tuned into a 'spot' beam pattern, but UK engineered and manufactured ensures this is an LED spotlight that can withstand the harshest environments and is built to last.

## TRIPLE-R



\*Drive current for the LEDs is maintained at the optimum level considering environmental and thermal conditions of the lamp

## ULTRA LONG-RANGE LED DRIVING LAMPS

# TRIPLE-R

## TRIPLE-R 6 ('850') STANDARD



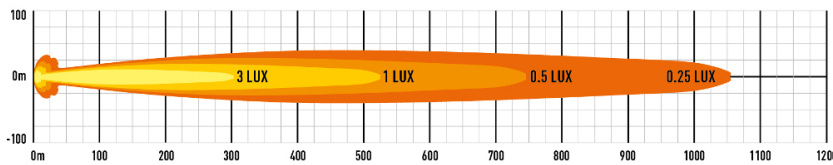
- Ultra long-range optics
- High output LED's from world leader in LED technology
- CAE optimised heatsink
- Electronic thermal management
- 'Unbreakable' polycarbonate lens
- Innovative design and unique styling

### TECHNICAL SPECIFICATIONS



E-MARK REF	45
VOLTAGE RANGE	9V - 32V
RAW LUMENS	6150
BEAM PATTERN	Spot
OPTICAL EFFICIENCY	92%
BEAM DISTANCE (0.25LX)	1,058m
# HIGH POWER LEDs	6
POWER CONSUMPTION	66 Watts
CURRENT DRAW <sup>†</sup>	4.6 Amps
LED LIFE	50,000 Hrs*
WEIGHT	1100g

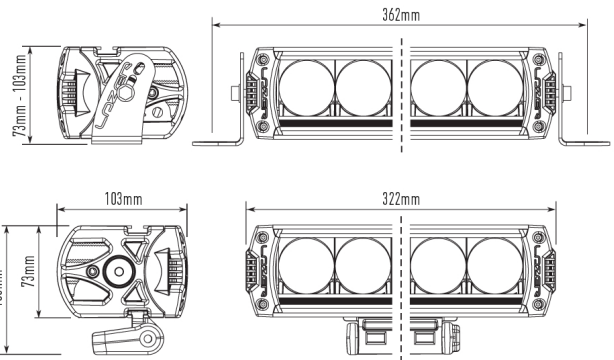
### TRIPLE-R 850



### MOUNTING OPTIONS:



(Side Bracket kit sold separately)



\* LED Manufacturers Specifications <sup>†</sup>At 14.4 Volts

### LAZER LAMPS LTD

Units 1+2, Harlow Mill Business Centre, Riverway, Harlow, Essex. CM20 2FD. UK

Tel: +44(0)1992 677374

Email: sales@lazerlamps.com

www.lazerlamps.com

# LAZER

HIGH PERFORMANCE LIGHTING

