



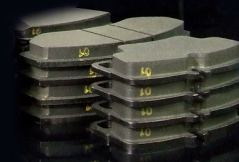
OFFICIAL TECHNICAL PARTNER OF



# FERRARI BRAKE APPLICATIONS



**FAST ROAD & TRACK DAY BRAKE UPGRADES  
RACE DISCS AND PADS**



## FERRARI BRAKE APPLICATIONS

Carbon Metallic®

### PADS

APPLICATION	MODEL	YEAR	FRONT	REAR
Turbo	208	1973-76	0045.97.15.44	0031.97.15.44
2.0, turbo, GTB, GTS, 16v	208	1982-88	0395.11 0395.06.20.44	
Dino, 2.4 GT	246	1971-75	0045.97.15.44	0031.97.15.44
GT4 / GTB	308	1973-77	0045.97.15.44	0031.97.15.44
"3.2, GTB, GTS, 16v"	328	1986-89	0395.11 0395.06.20.44	
3.4, TB, TS, 32v	348	1990-94	0345.08.17.44	0345.08.17.44
3.5, Berlinetta, GTS, Spider, 40v	355	1994-96	0345.08.17.44	0345.08.17.44
Challenge			7700.01.25.44 7700.05.25.44 7700.06.25.44 7700.07.25.44 7700.08.25.44 7700.97.25.44	7700.01.25.44 7700.05.25.44 7700.06.25.44 7700.07.25.44 7700.08.25.44 7700.97.25.44
"Modena, 3.6 V8"	360	1999-05	1053.10 0592.01.15.44 0592.97.15.44	1053.10 0592.01.15.44 0592.97.15.44
"3.6, Challenge"			7770.01.20.44 7770.08.20.44	7700.01.16.44 7700.07.16.44 7700.97.16.44
"4.4, GTC, GTS"	365	1968-77	0045.97.15.44	0252.10 0252.01.15.44
Daytona	365	1968 - 76	0163.80.19.44 0252.01.15.44	0252.10
4.8	400i	1976-85	0163.80.19.44	0252.10 0252.01.15.44
4.8	412	1986-89	0163.80.19.44	0252.10 0252.01.15.44
4.3, Cast Iron Disc	F430	2005-10	1053.10 0592.01.15.44 0592.97.15.44	1053.10 0592.01.15.44 0592.97.15.44
5.5, GT	456	1993-03	7780.10 7780.01.18.44 7780.05.18.44 7780.06.18.44 7780.07.18.44 7780.08.18.44	0345.08.17.44



## FERRARI BRAKE APPLICATIONS

Carbon Metallic®

### PADS CONT...

APPLICATION	MODEL	YEAR	FRONT	REAR
"5.0, BB"	F512	1976-85	0163.80.19.44	0252.10 0252.01.15.44
"5.0, TR (option)"		1981-83	7780.10 7780.01.18.44 7780.05.18.44 7780.06.18.44 7780.07.18.44 7780.08.18.44	0345.08.17.44
"2.9, Twin turbo"	F40	1988-92	7780.10 7780.01.18.44 7780.05.18.44 7780.06.18.44 7780.07.18.44 7780.08.18.44	7780.10 7780.01.18.44 7780.05.18.44 7780.06.18.44 7780.07.18.44 7780.08.18.44
4.7	F50	1995-97	7780.10 7780.01.18.44 7780.05.18.44 7780.06.18.44 7780.07.18.44 7780.08.18.44	7780.10 7780.01.18.44 7780.05.18.44 7780.06.18.44 7780.07.18.44 7780.08.18.44
"5.5, Maranello"	550	1996-02	0960.01.17.44 0960.05.17.44 0960.38.17.44	0960.01.17.44 0960.05.17.44 0960.38.17.44
"5.7, Maranello"	575	2002-08	0960.01.17.44 0960.05.17.44 0960.38.17.44	0345.08.17.44 7725.01.18.44
5.7	612	2004-10	1001.11 7781.01.15.44 7781.05.15.44 7781.07.15.44 7781.08.15.44	1053.10 0592.01.15.44 0592.08.15.44
4.9	Testarossa	1984-91	0163.80.19.44	0252.10 0252.01.15.44
2.9 turbo	GTO	1983-87	0163.80.19.44	0252.10 0252.01.15.44
2.9 / 3.2 / 3.4	Mondial	1981-89	0395.11 0395.06.20.44 0395.97.20.44	
3.4	Mondial	1989-93	0345.08.17.44	0345.97.17.44



# FERRARI BRAKE APPLICATIONS

## PAD COMPOUNDS

### 2011 Production Performance Friction Compounds - listed in the order of highest bite and torque

**01** has high initial bite and torque with very little torque rise with temperature. It has less torque scatter at the end of the stop for improved modulation. 01 Compound has good disc conditioning properties with low wear. 01 Compound is one of PFC's most popular race compounds, and wins more World and National Championships annually than any other brake pad on the market. Recommended for a wide range of competition applications, both tarmac and gravel surfaces.

**06** has been designed as an endurance / sprint compound and is very similar to PFC 01 for both bite and torque, with excellent release and control with very low wear and very easy on brake discs. 06 pads are an excellent alternative to other brands of endurance compounds but give a much higher performance. This compound works well in both motorsport and OE type calipers even when ABS systems are retained.

**08** compound is one of PFC's newest and has gained immediate favour in extended Endurance Sportscar, and GT racing due to its performance in applications where smooth initial bite is a must. 08 has a slight friction rise with temperature, excellent release and modulation characteristics. Very low disc wear, similar to 01. Despite its considerable performance, 08 has the lowest wear rate of all PFC compounds and can easily match the wear characteristics of the other competitor's materials but with much higher bite.

**97** Compound has less initial bite and average torque than 08. It has great modulation, a very flat torque curve, and enhanced release characteristics. 97 is recommended as a general-purpose pad for Club Racing and Track Day events. This compound also works well in the rear when a higher torque front pad is chosen but a very stable consistent low torque rear pad is required. 97 compound can produce higher levels of dust at elevated temperatures.

**Z-Rated .10 / .11** - this compound has been designed for fast road / trackday applications. It gives more stopping power and increased fade resistance over the OE materials but retains the good qualities of the road pad i.e., low dusting and noise along with low wear rate.

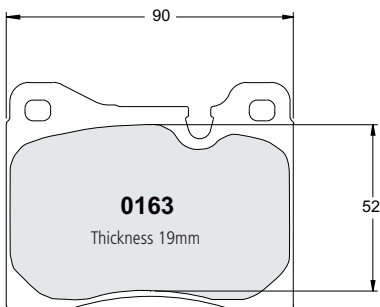


## PAD PROFILES

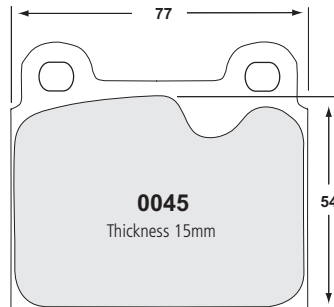
### PAD COMPOUNDS AVAILABLE

### PART NUMBERING AS FOLLOWS:

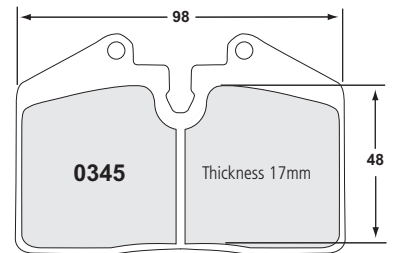
Pad Shape **0045** Compound **.97** Total Thickness **15** (mm)



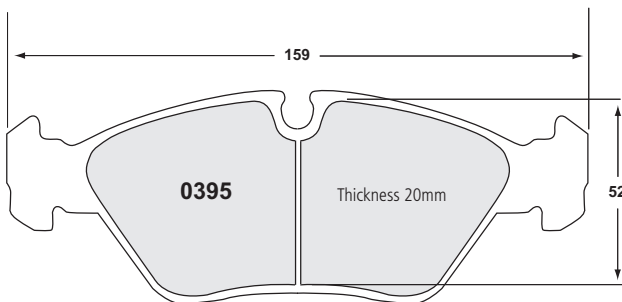
COMPOUNDS  
.80



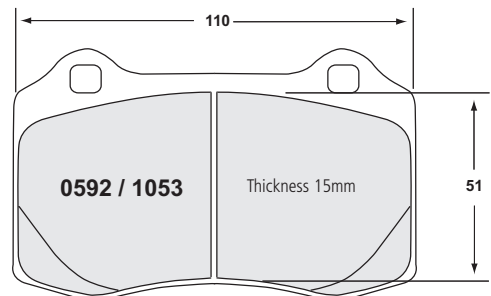
COMPOUNDS  
.01 - .97



COMPOUNDS  
.08



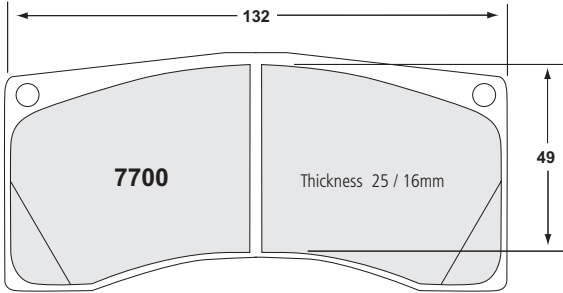
COMPOUNDS  
.01 - .06 - .97 - Z-Rated



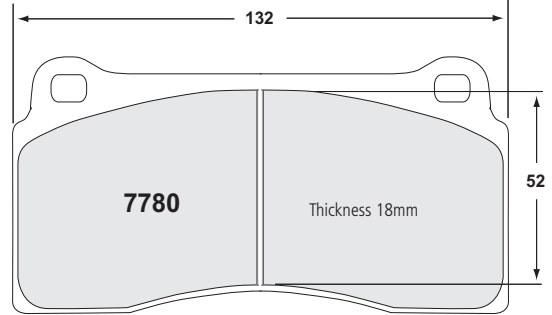
COMPOUNDS  
.01 - Z-Rated



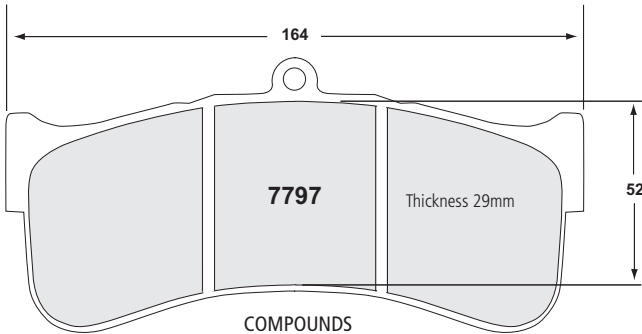
# FERRARI BRAKE APPLICATIONS



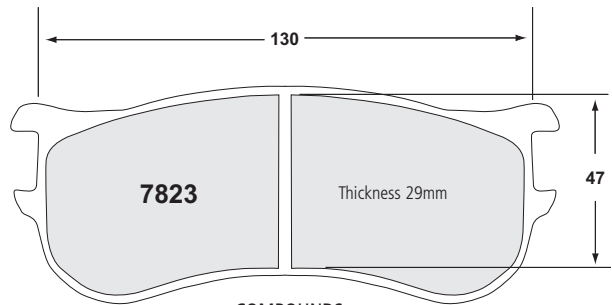
**7700**  
Thickness 25 / 16mm  
COMPOUNDS  
.01 - .06 - .08 - .97



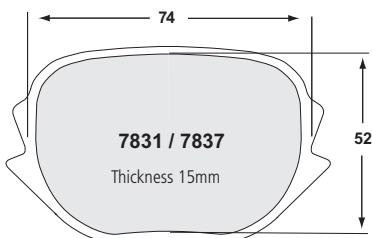
**7780**  
Thickness 18mm  
COMPOUNDS  
.01 - .06 - .08 - Z-Rated



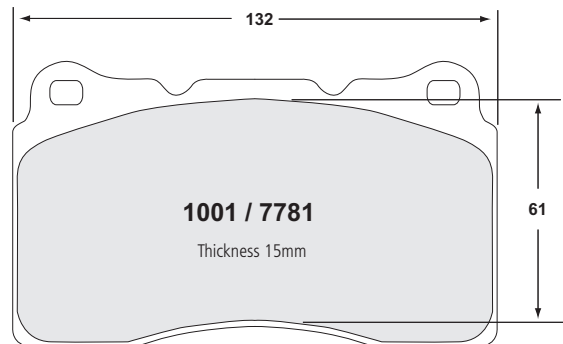
**7797**  
Thickness 29mm  
COMPOUNDS  
.01 - .05 - .06 - .08



**7823**  
Thickness 29mm  
COMPOUNDS  
.01 - .05 - .06 - .07 - .08



**7831 / 7837**  
Thickness 15mm  
COMPOUNDS  
.01 - .05 - .06 - .07 - .08



**1001 / 7781**  
Thickness 15mm  
COMPOUNDS  
.01 - .08 - .97 - Z-Rated



## Performance Friction Europe

Carbon Metallic House, Wildmere Road, Banbury, Oxon OX16 3LU United Kingdom  
Tel: +44(0)1295 221020 Fax: +44(0)1295 279711  
uksales@performancefriction.com www.performancefriction.com



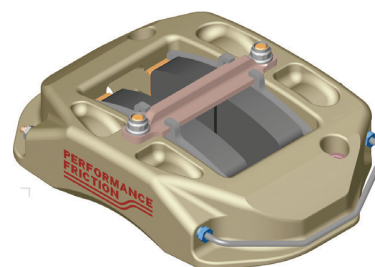
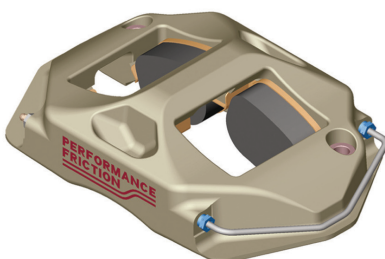
## FERRARI BRAKE APPLICATIONS

### RACE DISCS - FRONT

MODEL	SPEC	CALIPER	PAD	HAT	DISC	BOBBIN	
360	OE	Sprint	Brembo 4 pot OE	0592 - 15mm / 1053	na	330.042.67/68 assembly	na
430	OE	Sprint	Brembo 4 pot OE	0592 - 15mm / 1053	na	330.042.67/68 assembly	na
360 / 430GT2	Endurance	Brembo 6 pot motorsport	7797 - 29mm	PFC V2 240.130.009.13	PFC 378.35.0051.45/46	na	
	Endurance	Brembo 6 pot motorsport	7797 - 29mm	PFC 251.130.012.12	PFC 378.35.0051.07/08	PFC 912.113.775.02	
	Endurance	Brembo 6 pot motorsport	7797 - 29mm	PFC T Bobbin 256.130.017.01	PFC 378.35.0051.01/02	PFC 900.700.003.01	
	Sprint	Brembo 6 pot motorsport	7797 - 29mm	PFC 251.130.012.12	PFC 378.32.0051.07/08	PFC 912.113.675.02	
360 / 430GT2	Endurance	PFC ZR26	7837 - 28mm	PFC 251.130.012.12	PFC 378.35.0051.07/08	PFC 912.113.775.02	
	Sprint	PFC ZR26	7837 - 28mm	PFC 251.130.012.12	PFC 378.32.0051.07/08	PFC 912.113.675.02	
360	Challenge	Brembo 4 pot motorsport	7770 - 20mm	Brembo	PFC 355.32.0051.55/56	na	
360 / 430GT2	Endurance	PFC ZR27	7836 - 31mm	PFC V2 240.130.009.13	PFC 378.35.0051.45/46	na	
	Endurance	PFC ZR27	7836 - 31mm	PFC 251.130.012.12	PFC 378.35.0051.07/08	PFC 912.113.775.02	
	Sprint	PFC ZR27	7836 - 31mm	PFC 251.130.012.12	PFC 378.32.0051.07/08	PFC 912.113.675.02	
458	GT2	Endurance	Brembo 6 pot motorsport	7797 - 29mm	Brembo	380mm x 32mm Homologated	na
	Sprint	Brembo 6 pot motorsport	7797 - 29mm	Brembo	380mm x 32mm Homologated	na	
550	GT	Endurance	Brembo 6 pot motorsport	7797 - 29mm	PFC 256.839.015.01	PFC 378.35.0051.01/02	PFC 900.700.003.01
		Endurance	Brembo 6 pot mono bloc	7777 - 30mm	PFC 251.135.003.12	PFC 378.35.0051.07/08	PFC 900.700.775.02
		Endurance	PFC ZR27	7836 - 31mm	PFC 251.135.003.12	PFC 378.35.0051.07/08	PFC 900.700.775.02
		Sprint	Brembo 6 pot motorsport	7797 - 29mm	PFC 256.839.015.01	PFC 378.35.0051.01/02	PFC 900.700.003.01
		Sprint	Brembo 6 pot mono bloc	7777 - 30mm	PFC 251.135.003.12	PFC 378.35.0051.07/08	PFC 900.700.675.02
		Sprint	PFC ZR27	7836 - 31mm	PFC 251.135.003.12	PFC 378.35.0051.07/08	PFC 900.700.675.02
575	GT	Endurance	Brembo 6 pot motorsport	7797 - 29mm	PFC 251.840.010.12	PFC 378.35.0051.07/08	PFC 900.700.775.02
		Endurance	PFC ZR27	7836 - 31mm	PFC 251.135.003.12	PFC 378.35.0051.07/08	PFC 900.700.775.02
		Sprint	Brembo 6 pot motorsport	7797 - 29mm	PFC 251.840.010.12	PFC 378.32.0051.07/08	PFC 900.700.675.02
		Sprint	PFC ZR27	7836 - 31mm	PFC 251.135.003.12	PFC 378.32.0051.07/08	PFC 900.700.675.02

### RACE CALIPERS

ZR22 - ZR26 - ZR27 - PERFORMANCE FRICTION RACE CALIPERS



Full specifications and build sheets available. Please contact our technical sales department for detailed advice.



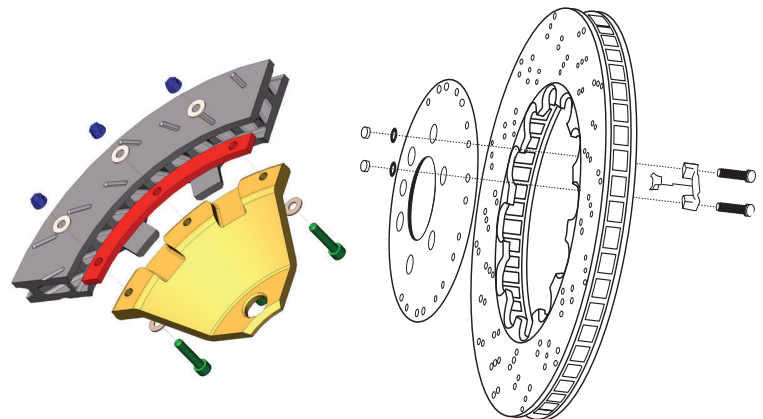


## FERRARI BRAKE APPLICATIONS

### RACE DISCS - REAR

CALIPER	PAD	HAT	DISC	BOBBIN
Brembo 4 pot OE	0592 - 15mm / 1053	na	330.042.67/68 assembly	na
Brembo 4 pot OE	0592 - 15mm / 1053	na	330.042.67/68 assembly	na
Brembo 4 pot motorsport	7700 - 25mm	Brembo	332.32.0052.03/04	Brembo pin drive
Brembo 4 pot motorsport	7700 - 25mm	PFC 208.130.085.12	PFC 328.32.0049.07/08	PFC 912.100.675.02
Brembo 4 pot motorsport	7700 - 25mm	PFC T Bobbin 204.130.080.01	PFC 328.32.0049.01/02	PFC 900.700.003.01
Brembo 4 pot motorsport	7700 - 25mm	PFC T Bobbin 204.130.080.01	PFC 328.32.0049.01/02	PFC 900.700.003.01
PFC ZR22	7823 - 29mm	PFC 208.130.016.12	330.32.0046.07/08	PFC 912.100.675.02
PFC ZR22	7823 - 29mm	PFC 208.130.016.12	330.32.0046.07/08	PFC 912.100.675.02
Brembo 4 pot motorsport	7770 - 16mm	Brembo	Brembo	na
PFC ZR22	7823 - 29mm	PFC V2 203.130.026.13	PFC 330.32.0047.45/46	na
PFC ZR22	7823 - 29mm	PFC 208.130.016.12	PFC 330.32.0046.07/08	PFC 912.100.675.02
PFC ZR22	7823 - 29mm	PFC 208.130.016.12	PFC 330.32.0046.07/08	PFC 912.100.675.02
Brembo 4 pot motorsport	7700 - 25mm	Brembo	355mm x 32mm Homologated	na
Brembo 4 pot motorsport	7700 - 25mm	Brembo	355mm x 32mm Homologated	na
Brembo 4 pot motorsport	7770 - 26mm	PFC 239.839.200.01	PFC 355.32.0048.05/06	PFC 900.700.003.01
Brembo 6 pot mono bloc	7777 - 30mm	PFC 251.135.003.12	PFC 378.35.0051.07/08	PFC 900.700.775.02
PFC ZR27	7836 - 31mm	PFC 251.135.003.12	PFC 378.35.0051.07/08	PFC 900.700.775.02
Brembo 4 pot motorsport	7770 - 26mm	PFC 239.839.200.01	PFC 355.32.0048.05/06	PFC 900.700.003.01
Brembo 6 pot mono bloc	7777 - 30mm	PFC 251.135.003.12	PFC 378.35.0051.07/08	PFC 900.700.675.02
PFC ZR27	7836 - 31mm	PFC 251.135.003.12	PFC 378.35.0051.07/08	PFC 900.700.675.02
Brembo 4 pot motorsport	7770 - 26mm	PFC 234.840.071.12	PFC 355.32.0048.07/08	PFC 900.700.675.02
PFC ZR27	7836 - 31mm	PFC 251.135.003.12	PFC 378.35.0051.07/08	PFC 900.700.775.02
Brembo 4 pot motorsport	7770 - 26mm	PFC 251.840.010.12	PFC 378.32.0051.07/08	PFC 900.700.675.02
PFC ZR27	7836 - 31mm	PFC 251.135.003.12	PFC 378.32.0051.07/08	PFC 900.700.675.02

### PFC V2 AND DIRECT DRIVE SYSTEM



### Performance Friction Europe

Carbon Metallic House, Wildmere Road, Banbury, Oxon OX16 3LU United Kingdom

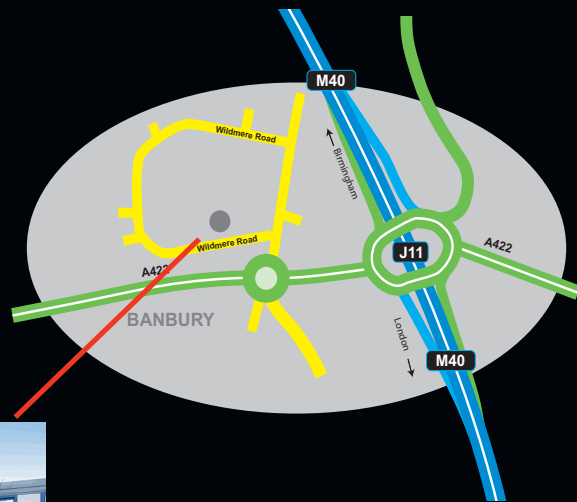
Tel: +44(0)1295 221020 Fax: +44(0)1295 279711

uksales@performancefriction.com www.performancefriction.com



## HOW TO FIND US

Our European Headquarters located at Banbury in Oxfordshire is extremely well serviced by road, rail and air transport.



OFFICIAL TECHNICAL PARTNER OF



Performance Friction Europe

Carbon Metallic House, Wildmere Road,  
Banbury, Oxon OX16 3LU  
United Kingdom

Tel: +44(0)1295 221020 Fax: +44(0)1295 279711

uksales@performancefriction.com  
www.performancefriction.com